

OCULUS BIOM[®] ready
Single-use wide-angle
viewing system

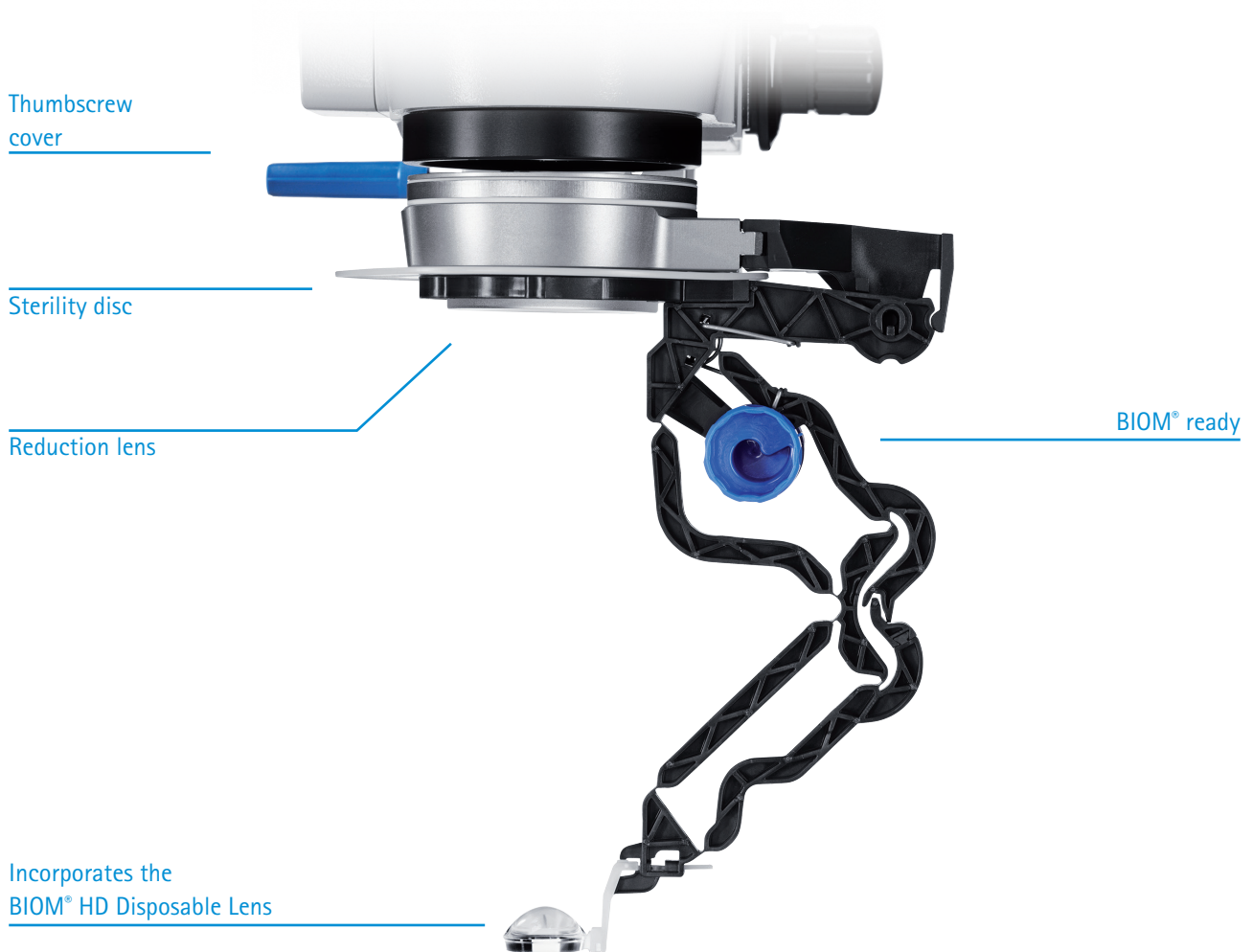


OCULUS BIOM[®] ready

The world's first single-use wide-angle viewing system.

From the inventors of non-contact wide-angle viewing, comes the world's first single-use wide-angle viewing system. The BIOM[®] ready provides the retinal surgeon the same unparalleled view they have come to rely on for over 25 years, while addressing the need for maximizing operating room efficiency.

- Perfect balance between flexibility and high optical quality
- Uncompromised performance you have come to expect from the OCULUS BIOM[®]
- No sterilization “down time” for increased OR efficiency



Incorporates the BIOM[®] HD Disposable Lens for unparalleled visual clarity

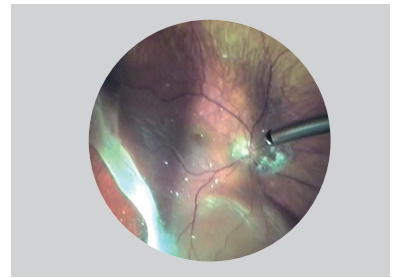
- Excellent depth of field for better stereopsis
- HD clarity under high magnification reduces the need for a contact lens
- Full-field clarity for decreased scleral depressing during panretinal laser
- Improved view during air/fluid exchanges



Approx. 130° wide-angle field of view with outstanding resolution



New reduction lens is designed to optimize the view of the retina and the limbus, increasing surgical efficiency



HD clarity under high magnification



Always ready, always a perfect view.



BIOM® ready sterile blister pack



Connects easily to your microscope



Ready for use

Specifically designed to optimize performance with either a $f = 175$ mm or $f = 200$ mm microscope objective lens.

54413: BIOM® ready, optimized for $f = 175$ mm

54414: BIOM® ready, optimized for $f = 200$ mm

Adaptations

SDI® 4/BIOM® ready adaptations are currently available for the following microscope types:

Alcon	LuxOR
Huvitz	HOM-700
Kaps	SOM
Leica	M220, M500/M501, M620, M650, M690, M841, M820, M822, M844, Proveo 8
Möller	Ophthalmic 900, Hi-R 900, Hi-R NEO 900, EOS 900, Allegra 900
Takagi	OM-8, OM-9, OM-18, OM-19
Topcon	OMS-110, OMS-600, OMS-610, OMS-650, OMS-710, OMS-800 Standard, OMS-800 Pro, OMS-850 Standard, OMS-850 Pro
Zeiss	ARTEVO 800®, OPMI VISU 150/160, VISU 200/210, Lumera® 700, Lumera® T, Lumera® i, Lumera® 300, OPMI CS with Retrolux 1/3/CS, OPMI/MDO, OPMI 1/6

CE in accordance with Medical Device Directive 93/42/EEC

WWW.OCULUSSURGICAL.COM



OCULUS is certified by TÜV according to
DIN EN ISO 13485 MDSAP

OCULUS Optikgeräte GmbH
Postfach • 35549 Wetzlar • GERMANY
Tel. +49 641 2005-0 • Fax +49 641 2005-299
Email: support@oculussurgical.de • www.oculussurgical.com

Find your local OCULUS representative on our website.

