

Replacing the Drive Unit of the BIOM[®] 4c/5c (item no. 54405)



Handle drive unit and coupling disc carefully!
The drive unit comprises a magnetic coupling!

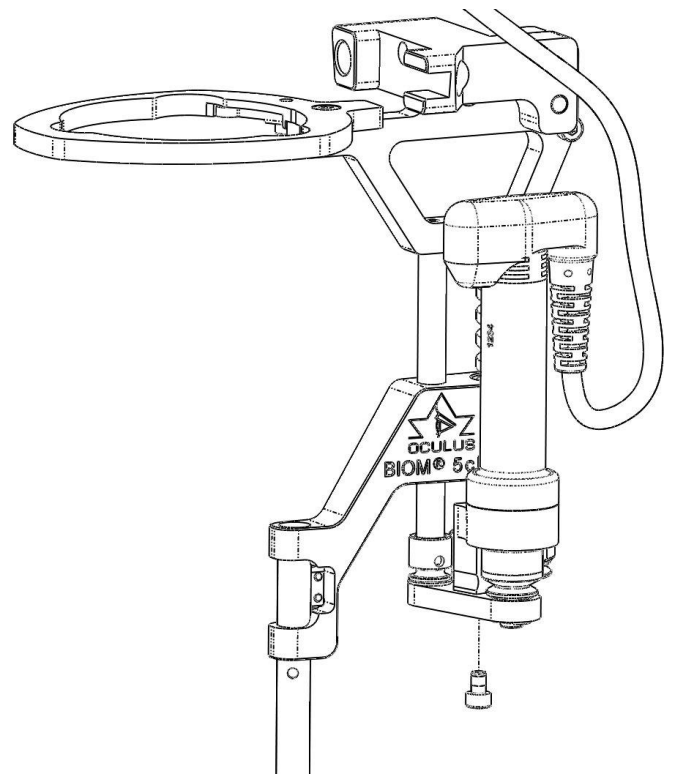
1. Before you replace the drive unit: Prepare the BIOM[®] 4c/5c* in accordance with the directives for hygiene in hospital.
2. Remove only the hex socket head screw (2mm hex key) which holds the drive unit on the triangular bottom plate.



3. Slightly move the drive unit from side to side while pulling it out of its position.
4. If necessary clean the coupling disc mounted on the triangular plate.



5. Install the new drive unit by inserting the square base into the rectangular recess in the triangular bottom plate while maintaining the correct orientation.
6. Secure the drive unit using a new hex socket head screw.
Use only the supplied self-locking hex socket head screw M2.5x4 (with applied blue thread-locking compound).



7. Dispose the drive unit in accordance with the legal provisions. Observe the directives for hygiene and disposal of the hospital.

Note

The drive unit is a spare part of the BIOM[®] 4c/5c. For safety-related and more detailed information refer to the instruction manual of the BIOM[®] 4c/5c.

* Figures using the example BIOM[®] 5c/BIOM[®] 5cl



OCULUS Optikgeräte GmbH
Münchholzhäuser Str. 29
D – 35582 Wetzlar
Tel.: 0641/2005-0
Fax: 0641/2005-295
E-mail: sales@oculus.de